

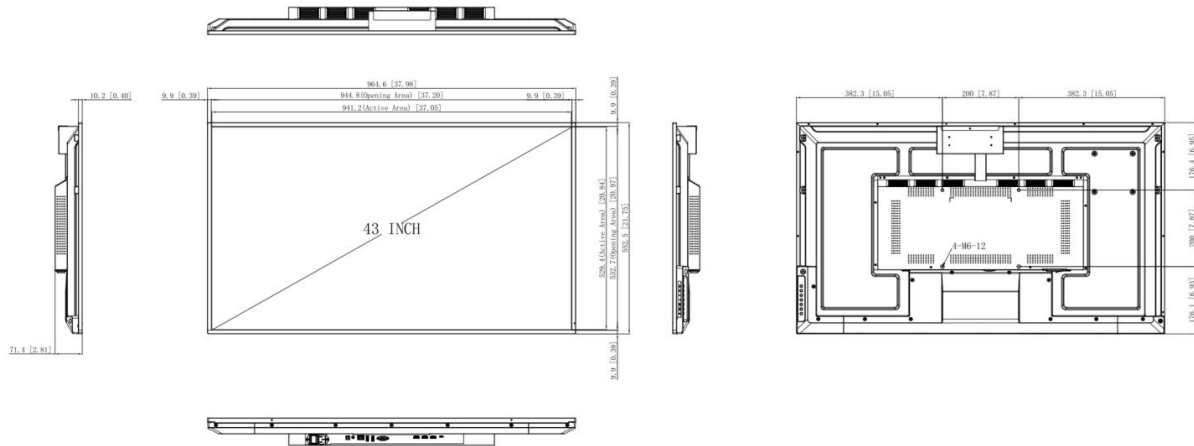
DS243 Commercial Display



Product Features

- Commercial design with ultra-thin bezel
- On-board Android 11 Operating System
- Built-in Orientation Sensor, Portrait and Landscape Compatible
- 4K (3840 x 2160) Ultra HD
- Network capable, optional Wi-Fi module
- Anti-Glare Glass, 2 x 10W speakers
- Wireless Screensharing
- Integrated Digital Signage Software
- 3 Year Warranty

Dimensions



Product Specifications

Display

Size	43 Inches
Screen Type	VA
Response Time	6.5 ms
Aspect Ratio	16:9
Display Area	941.184(H)× 529.416(V)mm
Resolution	3840(H) x 2160(V)
Pixel Pitch	0.2451× 0.2451mm
Back Light Unit	DLED
Refreshing Frequency	60 Hz
Display Color	1.07B (10 bit)
Contrast Ratio (Typ)	5000:1
Viewing Angle	178° (H/V)
Brightness (Typical)	450 cd/m ²
Brightness (min)	400 cd/m ²
Life Time	50000 hours

Video/Audio

Sound Channel	2.0 (Stereo)
Output Power	2x10W

Display Connectors

HDMI IN	2	Up to 4K@60Hz, HDCP 2.1, CEC, ARC(HDMI 1)
HDMI Output	1	Up to 4K@60Hz
Audio Output	1	3.5 mm
SPDIF	1	PCM Output Format
USB 2.0	1	For system upgrades
USB 3.0	1	External Storage, Keyboard/mouse supported
USB Type C	1	Video, Audio, PD 65W, LAN Network Sharing
RS232	1	Baud Rate 9600
LAN IN (RJ45)	1	10M/100M/1000Mbps
LAN OUT (RJ45)		N/A

Android System

System Version	Android 11.0
CPU	Quad core Cortex A55
GPU	Quad core Mali G52
RAM	4 GB
Onboard Storage	32 GB

Power

Power Requirements	100-240V~, 50/60Hz 2.5A
Typical Power Consumption	110W
Maximum Power Consumption	215W
Standby Power	≤0.5W

Physical Specification

Dimension L*H*D	964.6× 552.5× 71.4mm
Dimension (package) L*W*H	1056 × 156 × 672mm
Wall-hanging Screw Spec	M6 x 12mm
VESA	200mm x 200mm
Thickness of Display w/ Wall Mount	95.4mm
Net Weight	9.90kg
Gross Weight	13.85kg

Accessories

Standard Power Cord	x1
HDMI Cable	x1
Remote Control	x1

Environmental Conditions

Operation Temperature	0 to 40 degrees Celsius
Operation Humidity	10% - 90%RH
Storage Temperature	-20 to 60 degrees Celsius
Storage Humidity	10% - 90%RH
Altitude	Below 5000 meters