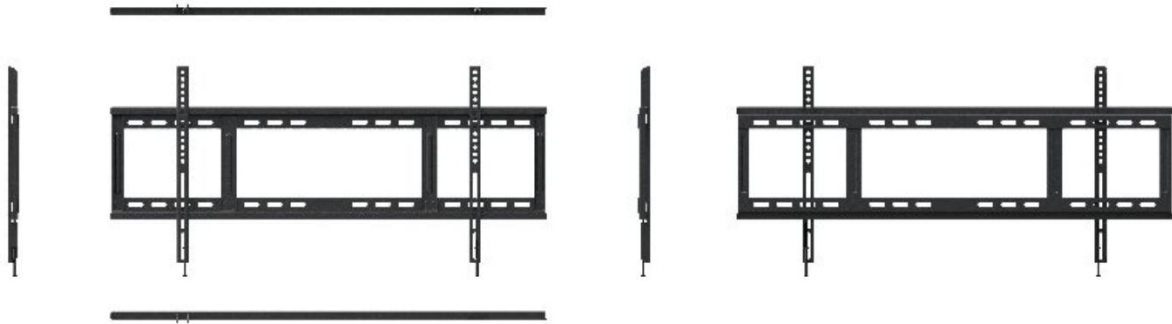
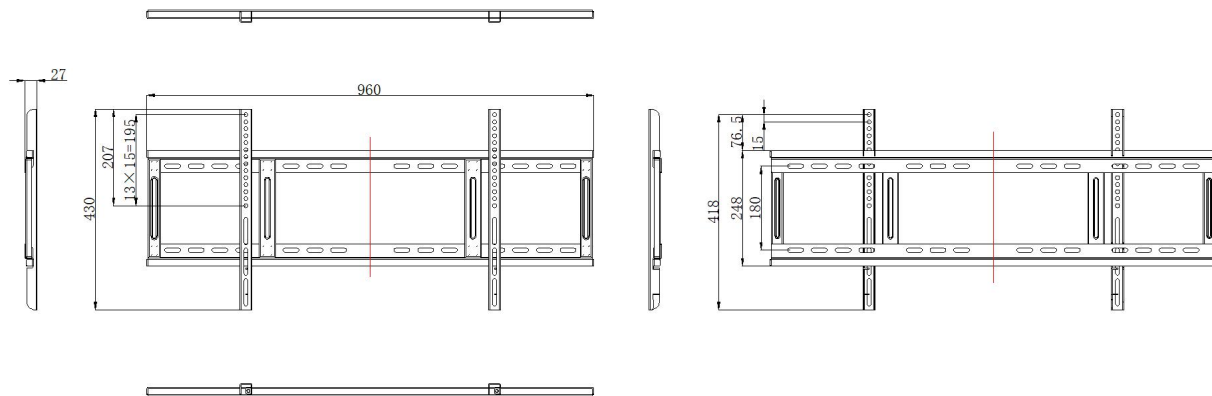


WBRACKSM

Product Appearance



Dimensions



Physical Specifications

| | |
|------------------------------------|-----------------------|
| Dimension (L x W x H) | 960mm x 430mm x 27mm |
| Dimension with Package (L x W x H) | 1027mm x 297mm x 47mm |
| Distance from the wall | 27mm |
| Net Weight | 3.85kg |
| Gross Weight | 4.84kg |
| Max Load | 30kg |
| Max Load Size | 45-75 inch |
| Screw | M8 x 15mm / M6 x 10mm |

Accessories

| | |
|-------------------|--|
| Screw | 6 x (M8 x 15mm / M6 x 10mm) |
| Expansion Plug | 10 x (50mm, PP) |
| Gasket | 10 x (20×8.5mm × 1.5mm, rust prevention) |
| Quick Start Guide | 1 |